



Bobcat®

COMPACT EXCAVATORS

E10

| | |
|------------------|---------------------|
| Operating Weight | 1176 kg |
| Engine Power | 7.6 kw |
| Bucket Capacity | 0.025m ³ |



Bobcat E10

Scan the code to watch E10 video

One Tough Animal®

E10 — SPECIFICATIONS

Weights

| | |
|-----------------------------|----------|
| Operating weight (ISO 6016) | 1176 kg |
| Ground pressure | 28.8 kPa |

Engine

| | |
|----------------------------|---------------------------------|
| Make / Model | Kubota / D722-E4B-BCZ-6 (Tier4) |
| Fuel | Diesel |
| Number of cylinders | 3 |
| Displacement | 0.7 L |
| Maximum power (SAE J1995) | 7.6 kW (10.2 HP) |
| Maximum torque (SAE J1995) | 40.1 Nm |

Performance

| | |
|----------------------------------|----------|
| Digging force, arm (ISO 6015) | 5550 N |
| Digging force, bucket (ISO 6015) | 8294 N |
| Drawbar pull | 9905 N |
| Travel speed (low) | 2.1 km/h |
| Travel speed (high) | 2.8 km/h |

Hydraulic System

| | |
|------------------|------------------|
| Pump type | Double gear pump |
| Pump capacity | 20.0 L/min |
| Auxiliary flow | 20.0 L/min |
| Auxiliary relief | 190.0 bar |

Swing System

| | |
|--------------------|---------|
| Boom swing (left) | 67.0° |
| Boom swing (right) | 64.0° |
| Swing speed | 9.0 RPM |

Fluid Capacities

| | |
|-----------------------|--------|
| Cooling system | 3.0 L |
| Engine oil and filter | 2.8 L |
| Fuel tank | 16.0 L |
| Hydraulic system | 9.4 L |

Standard Features

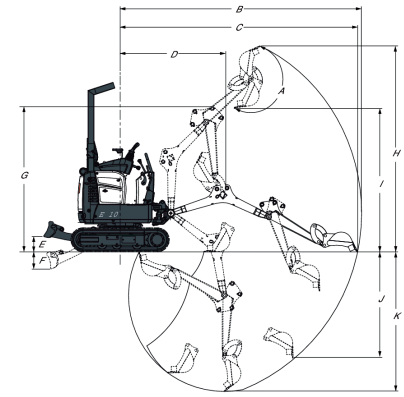
| | |
|---|--|
| TOPS canopy ¹ | Retractable seat belt |
| Manually expendable dozer blade from 710 to 1100 mm | Vinyl seat |
| 180 mm rubber tracks | Two-speed travel |
| Auxiliary hydraulics with quick couplers | Hydraulically expandable undercarriage from 710 to 1100 mm |
| Control console locks | Work lights |
| Horn | Key ignition |

1. Tip Over Protective Structure (TOPS) – Meets requirements of ISO 12117

Options

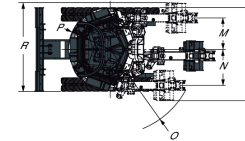
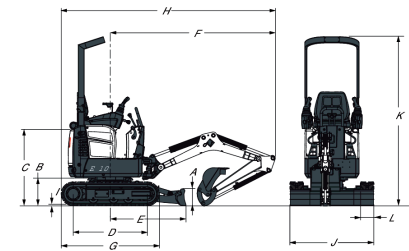
| | |
|---------------------|---------------------|
| Keyless ignition | Beacon kit |
| Travel motion alarm | Blade extension kit |

Working Range



| | |
|---------------|---------------|
| (A) 196.0° | (G) 1899.0 mm |
| (B) 3145.0 mm | (H) 2685.0 mm |
| (C) 3093.0 mm | (I) 1818.0 mm |
| (D) 1374.0 mm | (J) 1383.0 mm |
| (E) 196.0 mm | (K) 1820.0 mm |
| (F) 230.0 mm | |

Dimensions



| | |
|---------------|----------------------|
| (A) 220.0 mm | (J*) 710.0~1100.0 mm |
| (B) 363.0 mm | (K) 2209.0 mm |
| (C) 992.0 mm | (L) 180.0 mm |
| (D) 968.0 mm | (M) 413.0 mm |
| (E) 987.0 mm | (N) 471.0 mm |
| (F) 2153.0 mm | (O) 1121.0 mm |
| (G) 1280.0 mm | (P) 550.0 mm |
| (H) 2793.0 mm | (Q) 1221.0 mm |
| (I) 16.0 mm | (R) 1163.0 mm |

* Retractable track



Bobcat is a Doosan Company.

Doosan is a global leader in construction equipment, power & water solutions, engines, and engineering proudly serving customers and communities for more than a century. | Bobcat and the Bobcat logo are registered trademarks of Bobcat Company in the United States and various other countries.
©2020 Bobcat Company. All Rights Reserved.



Bobcat®

Doosan Bobcat Korea Co., Ltd.
www.bobcat.com